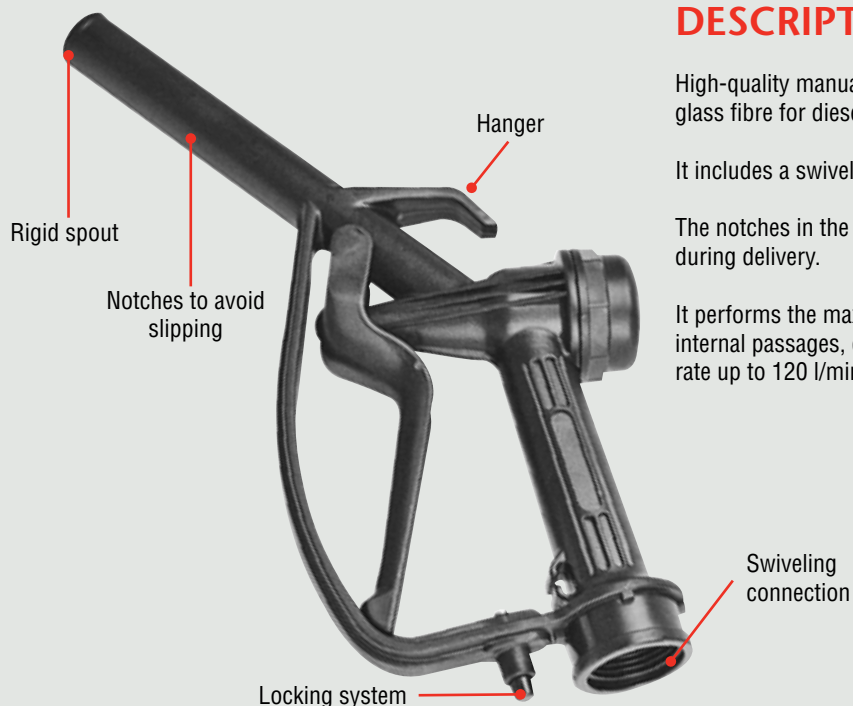


PP Manual Gun



Part. No: 689 910



DESCRIPTION

High-quality manual nozzle made in polypropylene reinforced with glass fibre for diesel supply to vehicles.

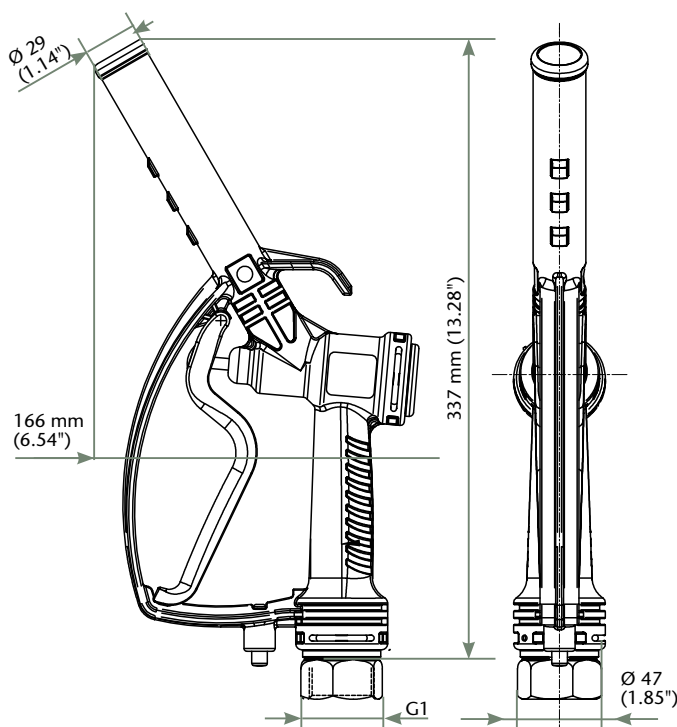
It includes a swivel connection at the inlet for easier operation.

The notches in the spout avoid the gun slipping from the tank during delivery.

It performs the maximum efficiency thanks to the optimized internal passages, decreasing pressure loss and improving the flow rate up to 120 l/min (31.7 gal/min).

TECHNICAL SPECIFICATIONS & DIMENSIONS

Weight	0,28kg (0.61lb)
Wetted materials	Reinforced PP, NBR
Max. flow rate	120 l/min (31.7 gal/min)
Inlet thread	1" BSP F
Max temperature	50 °C (120 °F)
Max working pressure	5 bar (72.5psi)



Samoa Industrial, S.A.

Pol. Ind. Porceyo, I-14 • Camino del Fontán, 831
 E 33392 GIJÓN (Asturias) SPAIN
 Tel.: +34 985 381 488 • Fax: +34 985 384 163
 www.samoaindustrial.com